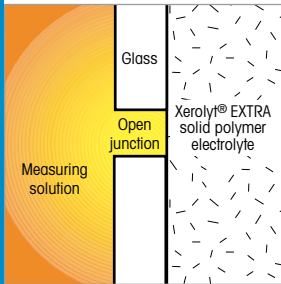


Accurate pH Measurement For Demanding Process Conditions



New XEROLYT® EXTRA polymer

The latest development of the pioneering XEROLYT® polymer reference electrolyte, successfully used over many years. Its patented composition minimizes measurement errors in almost all process media, leading to tighter process control.



Open junction

The open polymer surface at the junction with the process media accounts for a substantial decrease of clogging through the process solution, eliminating the need for frequent cleaning or unscheduled electrode replacement.



Digital signal

100% signal integrity. Immunity to electrical interference and signal distortion ensures stable and accurate data.



Robust construction with titanium shaft

Featuring a titanium shaft and a stainless steel thread, the InPro 4281 i has been designed to withstand not only the most aggressive process conditions, but also the common everyday knock in industrial sites.



InPro 4260 (i) & InPro 4281 i – The Ideal Electrode for Chemical Applications

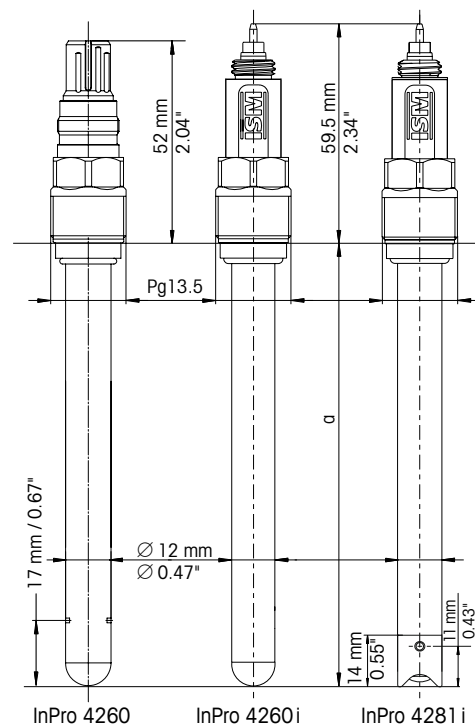
The InPro 4260 (i) & InPro 4281 i electrodes feature the Xerolyt® Extra polymer reference electrolyte for precise pH measurement and longer lifetime, even under the most difficult industrial environments.

The InPro 4260 (i) & InPro 4281 i electrodes come with an open junction, which solves the problem of diaphragm fouling often found in applications where sticky media, solutions with high particle content, or sulfide-bearing solutions are present. With other junctions, the electrical contact between the reference and the media is rapidly lost, and a sensor cleaning or even a non-scheduled sensor replacement is necessary.

Contamination of the reference electrolyte by the process solution can lead to erroneous pH readings, making the measurement system maintenance-intensive. A good design of the reference system, together with the right composition of the polymer behind the open junction, can make all the difference.

Technical data of the InPro 4260 (i) & InPro 4281 i

pH range	InPro 4260 (i):	0–14 pH
	InPro 4262 (i):	2–12 pH
	InPro 4281i:	1–12 pH
Temperature	0 to 130 °C (32 to 266 °F)	
Pressure	1 to 15 barg at 25 °C, 7 barg at 130 °C (217 psi at 77 °F, 101 psi at 266 °F)	
Cable Connection	ISM: K8S; Analog: VP	
Process Connection	Pg 13.5 thread	
Reference system	Argenthal	
Type of junction	Open junction with direct contact to media	
Reference electrolyte	Xerolyt® Extra (patented)	
Lengths	120 mm, 225 mm, 425 mm	
Shaft diameter	12 mm	
Shaft materials	InPro 426x (i): Glass; InPro 428xi: Titanium	
Temperature sensor	ISM: Digital; Analog: Pt 100 or Pt 1000	
Sterilizable	No	
Autoclavable	No	
pH membrane	Various by applications	
Solution ground	InPro 426x (i): Platinum; InPro 428xi: Titanium	
Certificates	METTLER TOLEDO Quality certificate, Pressure Equipment Directive guidelines (PED) 97/23/EC ATEX: Ex ia IIC T6/T5/T4/T3 Ga/Gb, FM: IS Cl. I,II,III Div 1, GR ABCDEFG/T6 EN 10204-3.1 (InPro 4281 i)	



► www.mt.com/InPro4260

► www.mt.com/InPro4281i

**Get a complete solution
tailored to your application.**



www.mt.com/pro

Visit for more information

Sales and service:

CE 1258



Management System
certified according to
ISO 9001 / ISO 14001

Mettler-Toledo GmbH

Process Analytics
8902 Urdorf, Switzerland
Phone +41 44 729 62 11
Fax +41 44 729 66 36

Subject to technical changes.
© 04/2016 Mettler-Toledo GmbH.
Printed in Switzerland. 52 900 319