

Durable in Process, Smart in Analytics

M400 Multi-parameter Transmitter



Robustness

- Touchscreen and soft keys offer convenient operation even for the harshest applications
- Rugged design for industrial environments and temperature extremes



Predictive Maintenance

- Advanced ISM functionality provides predictive maintenance tools to prevent unplanned shutdowns and reduce maintenance
- iMonitor™ display for ISM diagnostics information at a glance
- Real-time online monitoring via HART



Superior Flexibility

- Multi-parameter transmitter covers pH, oDO, CO₂ and TDL sensors
- Mixed-mode input for use with analog or digital ISM sensors
- Compatible with major asset management tools



Error-free Operation

- Fast commissioning and error-free startup thanks to Plug and Measure functionality
- Direct connection of sensors pre-calibrated via iSense™ software
- Safe and user-friendly sensor wiring
- Configuration via transmitter configuration tool or USB stick saves time



ISM®



HART
COMMUNICATION PROTOCOL

Reliable and Intelligent for Advanced Process Control

The multi-parameter M400 transmitter series features Intelligent Sensor Management (ISM®) technology and covers pH/ORP, oxygen (dissolved or in gas), dissolved carbon dioxide, conductivity or GPro® 500 TDL depending on the model you choose.

The high contrast black and white touchscreen together with four soft keys, allows you to operate the transmitter in the harshest applications without compromising user ergonomics. The mixed-mode input functionality allows connection of analog or digital ISM sensors. Online diagnostics information lets you know when it is time to replace, maintain or calibrate sensors equipped with ISM technology. The HART communication protocol provides easy integration of sensor diagnostics into process control systems.

METTLER TOLEDO

Technical data of the M400 4-wire transmitter series

Power supply	100 to 240VAC 50/60Hz 10VA 20 to 30VDC 10VA
Analog outputs	4 × 0/4 to 20mA, 22mA alarm, galvanically isolated (with HART)
Relays	2 SPDT, mechanical, 250VAC or 30VDC, 3A 2 SPST, Reed, 250VAC or 250VDC, 0.5A, 10W
Digital inputs	2
Analog input 1)	1 × 0/4 to 20mA
PID controller	1
User interface	4.0" TFT b/w touchscreen, 320 × 240 pixels
Languages	10 (English, German, French, Italian, Spanish, Portuguese, Russian, Japanese, Korean and Chinese)
USB interface	1 USB host: data logging, loading or saving configuration 1 USB device: software update interface
Ambient temperature	-20 to + 50 °C (-4 to 122 °F)
Relative humidity	0 to 90 % non-condensing
Enclosure material	Aluminum die cast
Enclosure rating	IP 66/NEMA 4X
Approvals and certificates	CE, ATEX Zone II, cCSAus Cl1 Div2

1) For M400 Type 2 and M400 Type 3 only

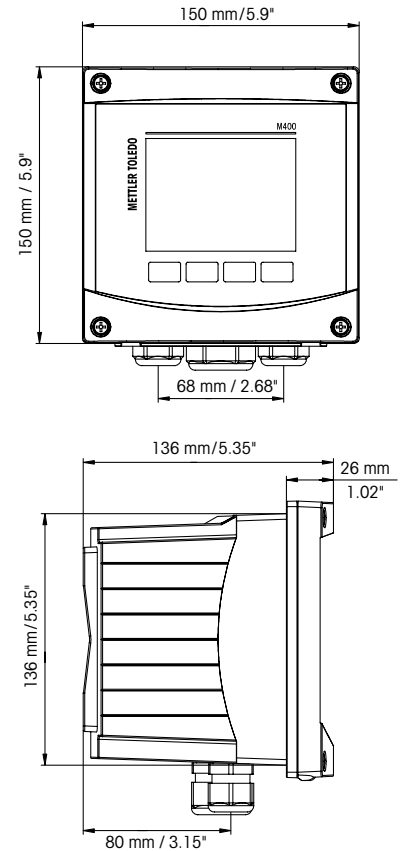
M400 parameter fit guide

	Type 1		Type 2		Type 3	
	Analog	ISM	Analog	ISM	Analog	ISM
pH/ORP	•	•	•	•	•	•
pH/pNa	-	•	-	•	-	•
UniCond 2-e/4-e	-	•	-	•	-	•
Conductivity 2-e	•	-	•	-	•	-
Conductivity 4-e	•	•	•	•	•	•
Amp. DO ppm/ppb/trace	-	-	•/• ¹⁾ /-	•/• ¹⁾ /-	•/•/•	•/•/•
Opt. DO ppm/ppb	-	-	-/-	•/• ¹⁾	-/-	•/•
Amp. O ₂ gas ppm/ppb/trace	-	-	-/-/-	-/-/-	•/•/•	•/•/•
Opt. O ₂ gas ppm	-	-	-	-	-	•
Dissolved ozone	-	-	•	•	•	•
Dissolved carbon dioxide	-	-	•	•	•	•
CO ₂ hi (thermal conductivity)	-	-	-	-	•	•
GPro 500 TDL	-	-	-	-	-	•

1) Thornton high performance DO sensor and pure water optical DO sensor only.

Ordering information

Transmitter	Order No.
M400 Type 1	30 374 111
M400 Type 2	30 374 112
M400 Type 3	30 374 113



Dimension Drawing M400

Sales and service:

www.mt.com/pro

For more information



Management System
certified according to
ISO 9001 / ISO 14001

Mettler-Toledo GmbH

Process Analytics
8902 Urdorf, Switzerland
Phone +41 44 729 62 11
Fax +41 44 729 66 36

ISM, iSense, iMonitor and GPro are
trademarks of the METTLER TOLEDO Group.
Subject to technical changes.
© 03/2017 Mettler-Toledo GmbH.
Printed in Switzerland. 30 378 970