

## Boiler Water Conductivity Sensors

### Rugged and Reliable

#### Highlights

- Minimize corrosion and scaling with highest accuracy measurement and consistent blowdown control
- Reduce energy costs with continuous monitoring and automatic control rather than grab sampling with manual control
- Save operations costs by direct measurement without sample cooler and cooling water, for samples up to 210 psig (14.5 bar) saturated steam
- Install with flexibility of in-line mounting or side-stream flow housing
- Use with versatile THORNTON M300 or 770MAX transmitters with choice of built-in control options

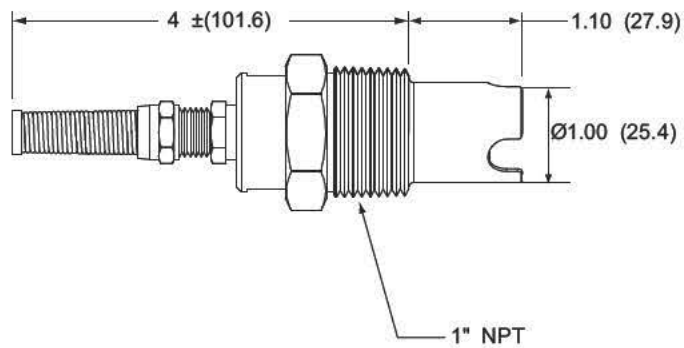


Boiler and steam piping can be protected from upset conditions using a continuous conductivity measurement with readout in  $\mu\text{S}/\text{cm}$ ,  $\text{mS}/\text{cm}$  or ppm TDS. The sensor can monitor systems to 210 psig (14.5 bar) saturated steam conditions without sample cooling. Accurate temperature compensation is provided. The transmitter readout can be located up to 200 ft (61 m) away from the sensor and retransmit alarm, control and/or analog signals even further. Automatic blowdown control allows close management of boiler water quality and usually reduces the amount of blowdown, saving a significant amount of energy.

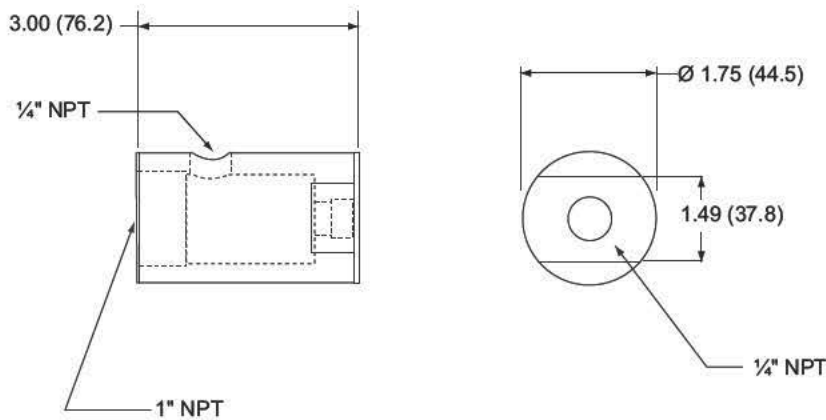
#### Specifications

Process Connection	1" NPT
Insertion length	1.10" (28 mm)
Cable length	2 ft (0.6 m)
Cable jacket material; rating	PTFE; 392°F (200°C)
Wetted materials	316SS, PEEK, Viton
Maximum Pressure/Temperature	500 psig (35 bar) at 77°F (25°C); 250 psig (17 bar) at 392°F (200°C)
Range	10 to 20,000 $\mu\text{S}/\text{cm}$ uncompensated
Cell constant	0.4 $\text{cm}^{-1}$
Temperature sensor	Pt1000 RTD, IEC 751 Class A
Temperature accuracy	0.1°C at 25°C
Certification	ASTM/NIST-traceable certificate of accuracy for conductivity and temperature

## Boiler Water Conductivity Sensor



## 58 084 016 Flow Housing



Dimensions: Inches (mm)

## Ordering Information

Description	Part No.
Boiler water conductivity sensor with VP connector for M300	58 031 264
Boiler water conductivity sensor with Smart connector for 770MAX	58 031 038
Flow housing, 316SS, 1/4" NPT inlet/outlet	58 084 016

### Mettler-Toledo Thornton, Inc.

36 Middlesex Turnpike,  
Bedford, MA 01730 USA  
Tel. +1-781-301-8600  
Fax +1-781-301-8701  
Toll Free +1-800-510-PURE (US and Canada Only)  
thornton.info@mt.com

Subject to technical changes  
© Mettler-Toledo Thornton, Inc.  
ML0136 Rev B 7/12

[www.mt.com/thornton](http://www.mt.com/thornton)

For more information